

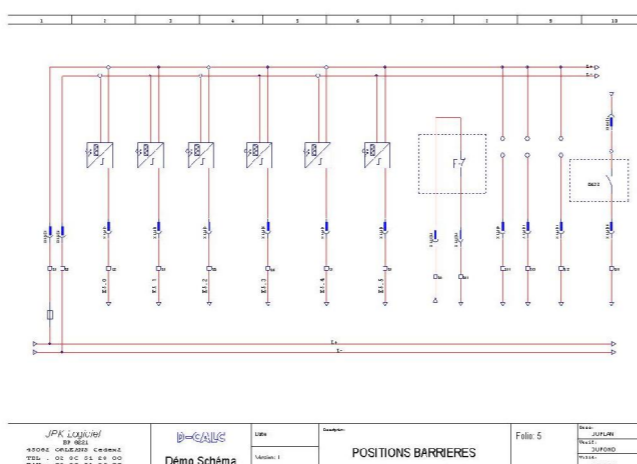
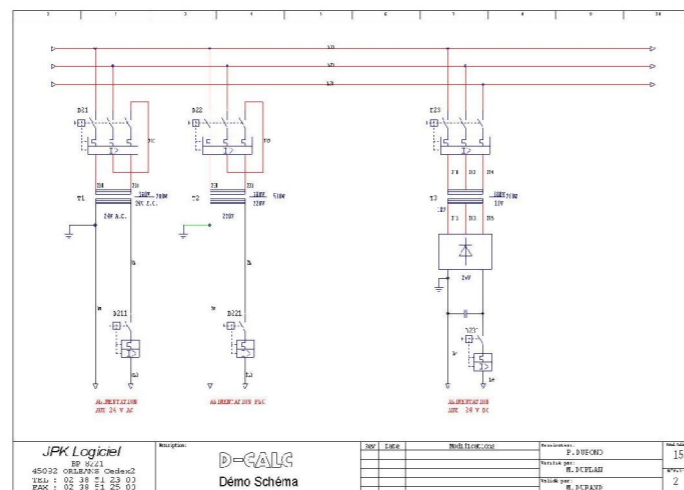
Multi-page wiring diagrams

D-CALC has ready-to-use standardized libraries which you can use right from the very first diagram. **You can easily create as many symbols** as you wish and view them as icons and classify them the way you want.

Your own plain language description is associated to each symbol for easy selection. A symbol can be an assembly of many others or even the entire or a part of a diagram.

D-CALC's drawing functions are directly adapted to electrical schematics (cutting, re-joining of wires, hardware tag marks, automatic placement of tag marks and characteristics in a title block..)

D-CALC enables you to work simultaneously on all the pages of a diagram. There is no limit on the number of pages. You can move from one page to another at any time by simply changing the page. Any part of the diagram can be added to the library at any time and re-inserted quite easily in another diagram. **Title blocks and logos can be defined at will** by the user.



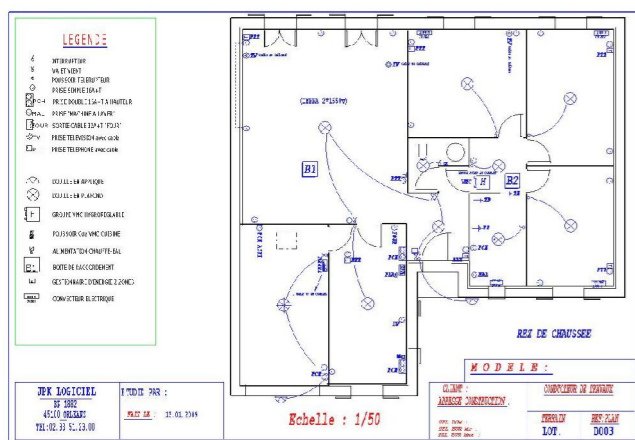
Simultaneous pages

D-CALC considers a diagram as a whole to which you have continuous access, in distribution, power and remote control. You can go almost instantaneously from one page to another. Copying and moving from one page to another are immediate. Cross-references are interrelated in the entire diagram.

Draw your installation layout

D-CALC is the only software for electrical layout. In the industrial, tertiary or housing sector, you pick up the ground plans in all formats by digitization from Schema software basic version via DXF or DWG option pack. You click on the Location of devices and you can draw the cable or sheath layouts. You can also quickly create your plans with the help of dimensioning tools.

Refer D-CALC IMPLANTATION (LAYOUT) to get your bill of quantities.

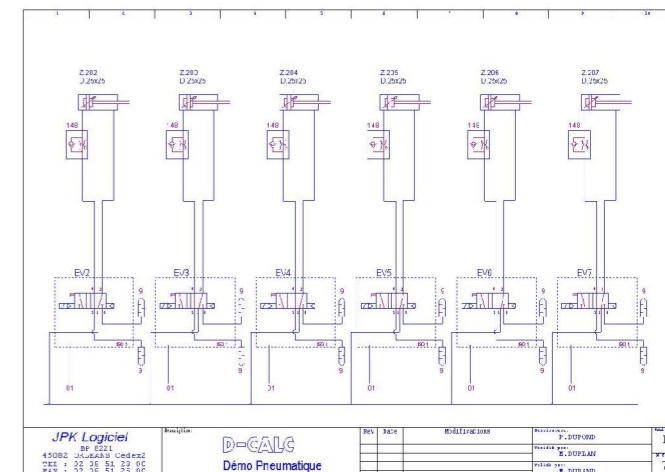


Pneumatic / Hydraulic Diagram

D-CALC also helps you in designing your plans for the pneumatic/ hydraulic part using symbols available in the standard library provided. You can then enhance it with as many symbols as you want and associate with them your own description to facilitate selection and tag marking.

A symbol can be a set of several others or even the whole or part of a diagram.

Your power and control diagrams, pneumatic and hydraulic are available at any time by simply changing the page.



Core Features

(Continued.)

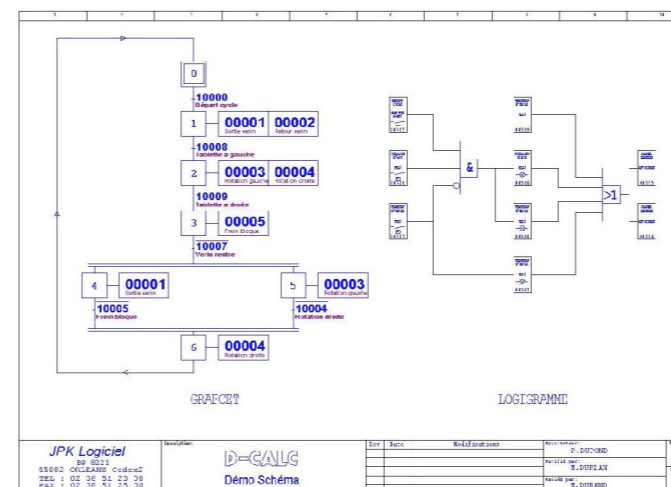
GRAF CET / Block diagram / Logical diagram

Logic as you understand it

You and your customers can in no time see the functioning of everything included in your project.

D-CALC offers you the **GRAF CET** feature, which, with the dedicated symbols, will enable you to design and annotate your grafcet quickly.

Logical blocks are also available to you to design a logical diagram or a block diagram.



Cabinet layout

D-CALC enables you to freely define your frames without manufacturing constraints and from the bill of materials you set up your devices. The dimension control of D-CALC guides you according to the cabinet steps. You can then get the dimensioned views that you desire using the « dimensioning » function.

Add-on Modules

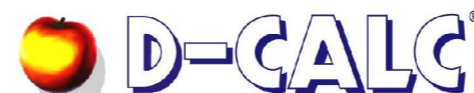
DWG Import / Export

D-CALC has an optional DWG module which enables you to import and export your diagrams and thus facilitate your exchanges with customers and suppliers.



Electricity

JPK software - BP 8221 - 45082 ORLEANS CEDEX 2 - FRANCE
 Tel. 02 38 51 23 00 - SAV 02 38 51 24 00 - Fax 02 38 51 25 00
 Email : info@dcalc.com - <http://www.dcalc.com>



Electricity

JPK software - BP 8221 - 45082 ORLEANS CEDEX 2 - FRANCE
 Tel. 02 38 51 23 00 - SAV 02 38 51 24 00 - Fax 02 38 51 25 00
 Email : info@dcalc.com - <http://www.dcalc.com>